

Name:

Product code: **2484**

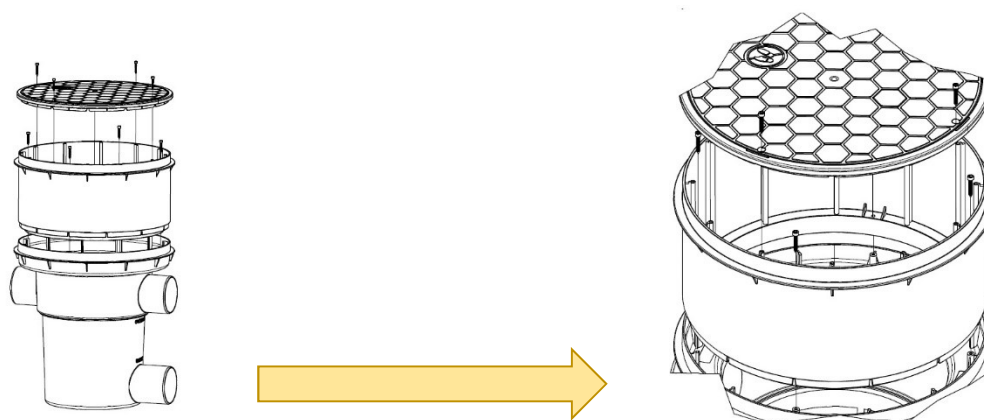
## Riser D400 H200 AQ



### **Product description**

The riser D400 H200 AQ is a put-on cylindrical extension for the rainwater overflow filter AQ, rainwater tanks AQ, septic tanks AQ and biological treatment plants. It is made of high-density polyethylene HDPE, by plastic injection. It is characterized by a light, transversely and longitudinally ribbed structure. Included with the riser there are four assembly screws and a gasket whose task is to seal the connection filter - riser, tank - riser or riser - riser.

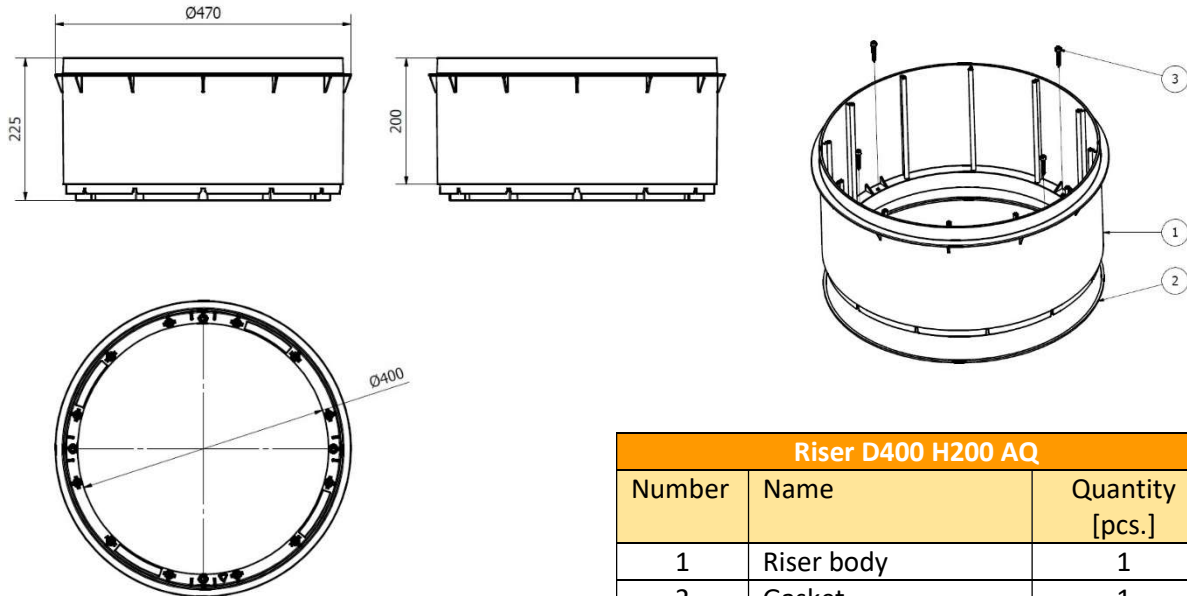
The use of the riser allows to install a filter or tanks at a greater depth. The assembly of the riser is done by putting it on and then screwing four INOX screws. The active height of the riser is 200 mm.



*Figure 1: Riser D400 H200 AQ - assembly onto the rainwater filter D400 AQ*

### Product specifications

Length [mm]	Width [mm]	Height [mm]	Weight [kg]	Product code
470	470	225	1,5	<b>2484</b>



Riser D400 H200 AQ		
Number	Name	Quantity [pcs.]
1	Riser body	1
2	Gasket	1
3	INOX screw	4

### Installation conditions

The riser is mounted directly onto the filter, tank or other risers. Check fit before assembly. Screw the riser using four INOX screws.

### Warranty

The Manufacturer guarantees the delivery of devices free from defects. In case of detecting a manufacturing defect in the device, which has been confirmed by the TYCNER's Aftersales Department, the device will be repaired free of charge or the defective components will be replaced with new ones. The Manufacturer provides a **three-year warranty** for the device, counted from the date of sale.

The Manufacturer allows the installation of up to **three risers** on the filter or tank manhole. The use of more risers and other than the original AQUABIN risers will void the warranty.

### Related accessories

The riser can be mounted together with the rainwater overflow filter D400 AQ.

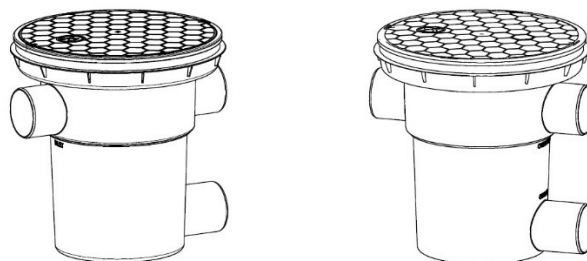


Figure 2: Rainwater overflow filter D400 AQ